

BULK SOLIDS HANDLING EQUIPMENT

SILO VENTING FILTERS

仓顶排气除尘器

V2 仓顶排气除尘器 V2 SILO VENTING FILTERS

V2 是一种完全由不锈钢制成的圆形排气过滤器（密封框由经过表面处理的碳钢制成）。该过滤器带有一个法兰式壳体，可以利用24个螺栓将过滤器固定在筒仓中

V2 is a cylindrically shaped dust collector for venting of pneumatically filled silos. The stainless steel body contains vertically mounted, filter elements. The air jet cleaning system is integrated in the hinged weather protection cover.

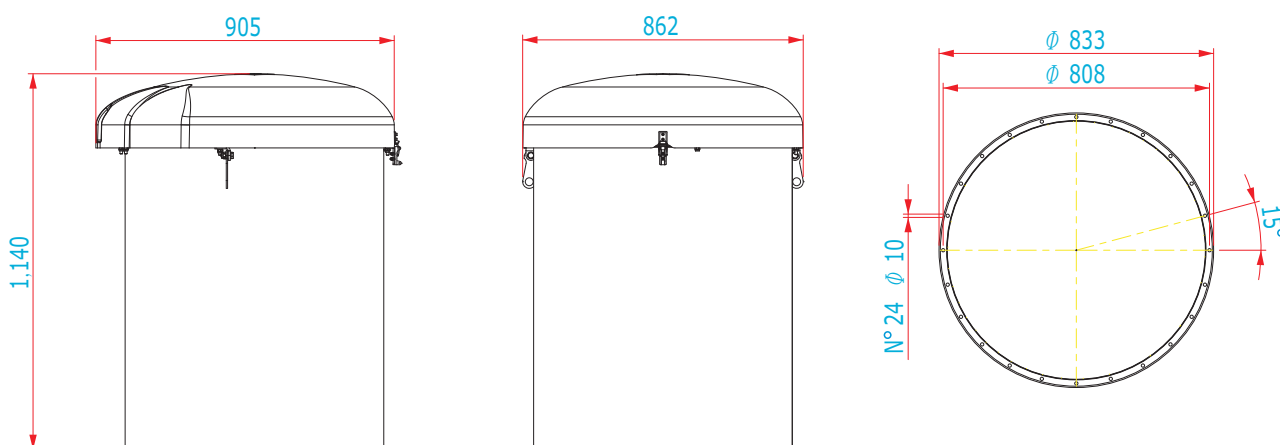


V2



Feature - 特性	Function - 功能	- 优点
Standard Stainless Steel Body 标准不锈钢外壳	Resistance to Corrosion 防恶劣气候表面处理	Reduced Maintenance Costs Due to Increased Durability 增强耐用性减少维护成本
High Quality Filter Media 高效滤芯	High Filtration Efficiency 高除尘效率	Lower Dust Emission 低粉尘外泄
Push-Fit Filter Elements 推入式安装的滤芯	No tools for cartridge maintenance needed (no loss of hardware) 快捷安全的维护（无硬件损失）	Lower Maintenance Costs 较低的维护成本
Maintenance Height = 1,150mm (3.8 ft) 维护高度=1150mm (3.8英尺)	Easy Maintenance 维护方便	Increased Work Safety - Reduced Maintenance Costs 增加工作安全性-降低维护成本
Easy opening system with hinged cover 易开式系统带有铰链盖	Easy Maintenance 维护方便	Reduced Maintenance Costs 增加工作安全性-降低维护成本

外观尺寸 / Overall Dimensions



Overall Dimensions

型号 CODE	仓筒直径 BODY Ø mm [in]	过滤面积 FILTER SURFACE m ² [sq ft]	关闭时高度 MAX. HEIGHT WHEN CLOSED mm [in]	开启时高度 MAX. HEIGHT WHEN OPEN mm [in]	重量 WEIGHT kg [lb]
V2	800 [31.5]	24 [147]	1,140 [44.9]	1,825 [71.8]	120 [264]

Dimensions in mm